

## INSTRUCTIONS ON HOW TO CREATE A CORRECT FILE FOR CANVAS FABRICS

The following instructions are designed to help you create a proper printing file. If still in doubt, please download the template, visit our web site at the FAQ section, activate the File Verification with an operator or call our Support Service.

### 1 FILE FORMAT

Our systems only process PDF format files - not password protected.

### 2 FORMAT ORIENTATION

File format orientation must match the choice indicated at the time of the order - portrait or landscape. This is important in order to correctly position additional accessories, such as sleeves, eyelets, etc.

### 3 TEMPLATE

During the customisation phase of sizes on the web site, our system automatically creates a PDF template. We suggest you download the file, add your own graphics and save the file again in PDF format. In this way, a correct file is generated. Be careful not to place graphics in the bleed area, as they will not show on the finished product.

### 4 PANELING

Paneling is not foreseen for this type of support.

### 5 COLOUR

The same colour can appear slightly different depending on the printing media. This is due to the material physical composition, i.e. natural fabrics do absorb more ink compared to synthetic ones.

All files are in CMYK with the printing profile in Fogra 39. The Images which are in RGB or in PANTONE colours shall be automatically converted with the standard separation profile.

### 6 RESOLUTION

File best resolution for printing Canvas fabrics is between 100 and 150 dpi.

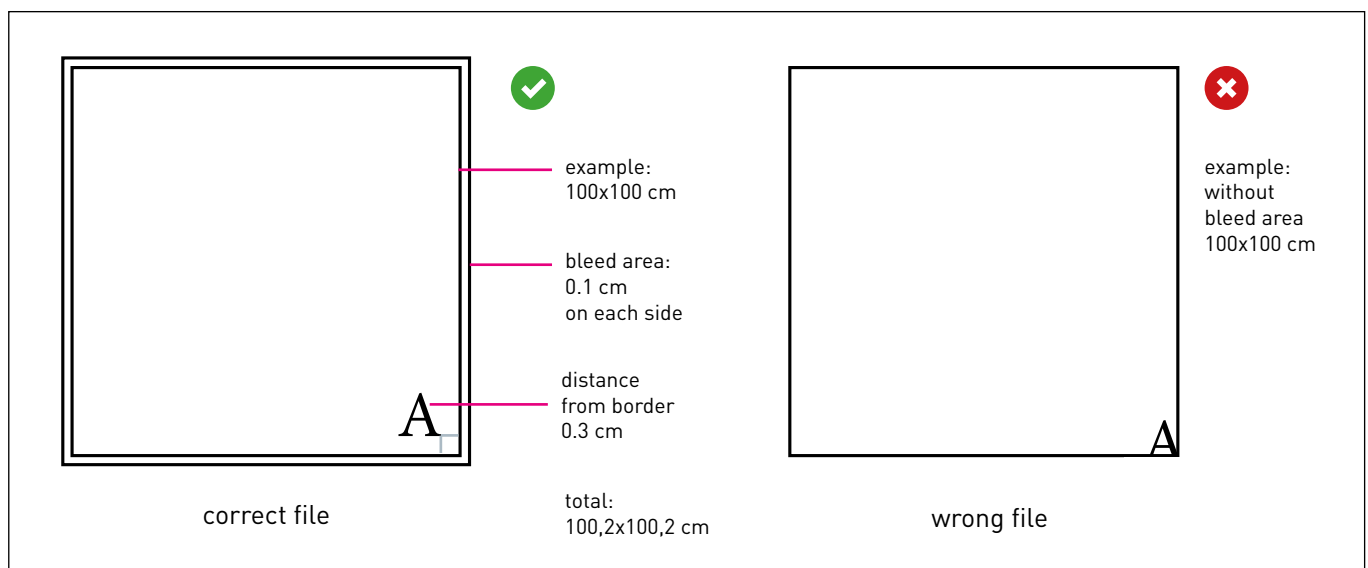
### 7 ADDITIONAL INFORMATION

Minimum printing line weight is 0,5 pt. Canvas fabrics are printed only on one side.

### 8 MARGINS AND BLEED AREA

Canvas fabrics require a PDF file in 1:1 scale +1 mm bleed area on each side.

Distance of texts from cutting border must be 3 mm.



In case of bleed area for frame, +7 cm and +1 mm bleed area must be added on each side.

